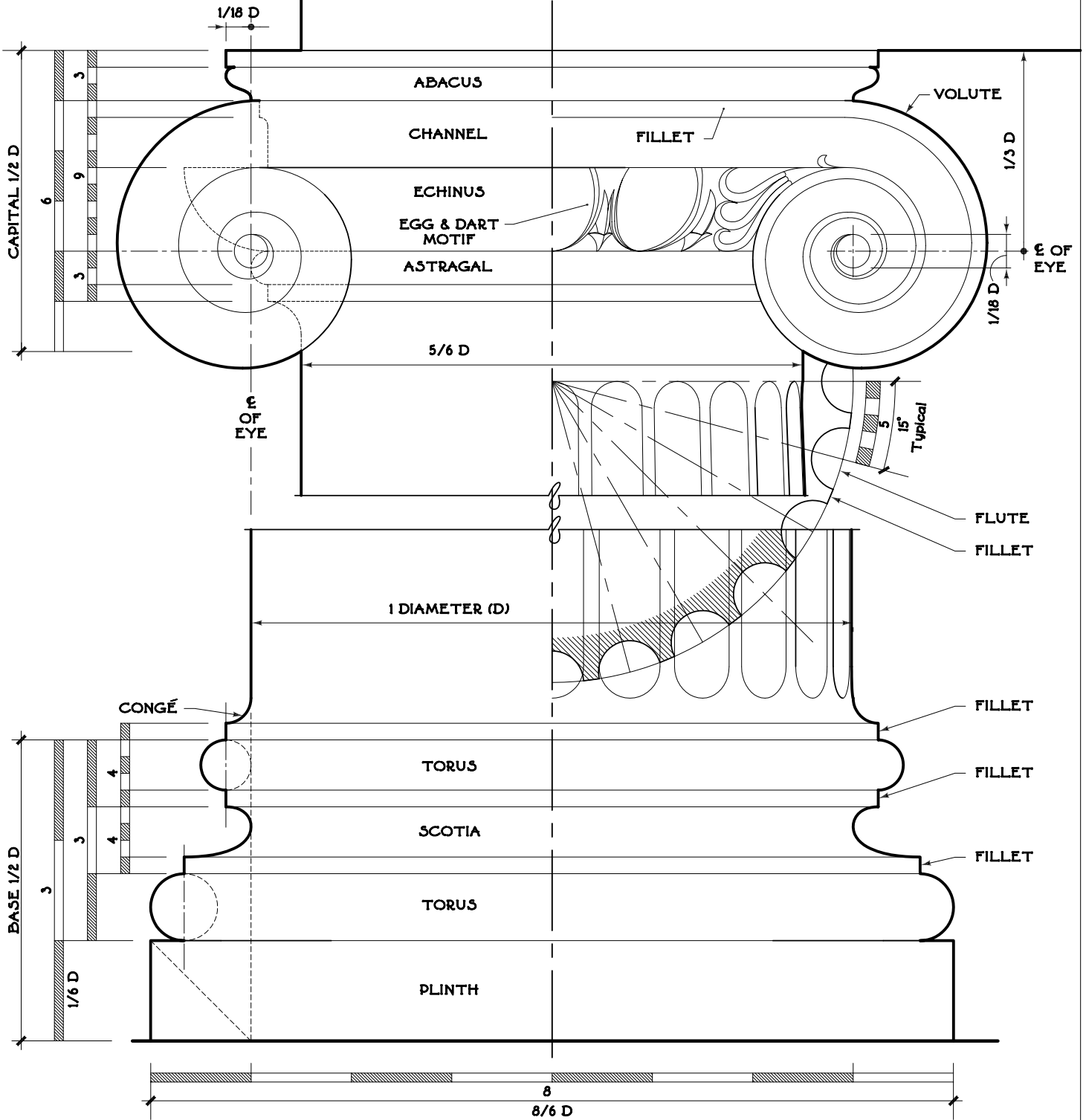


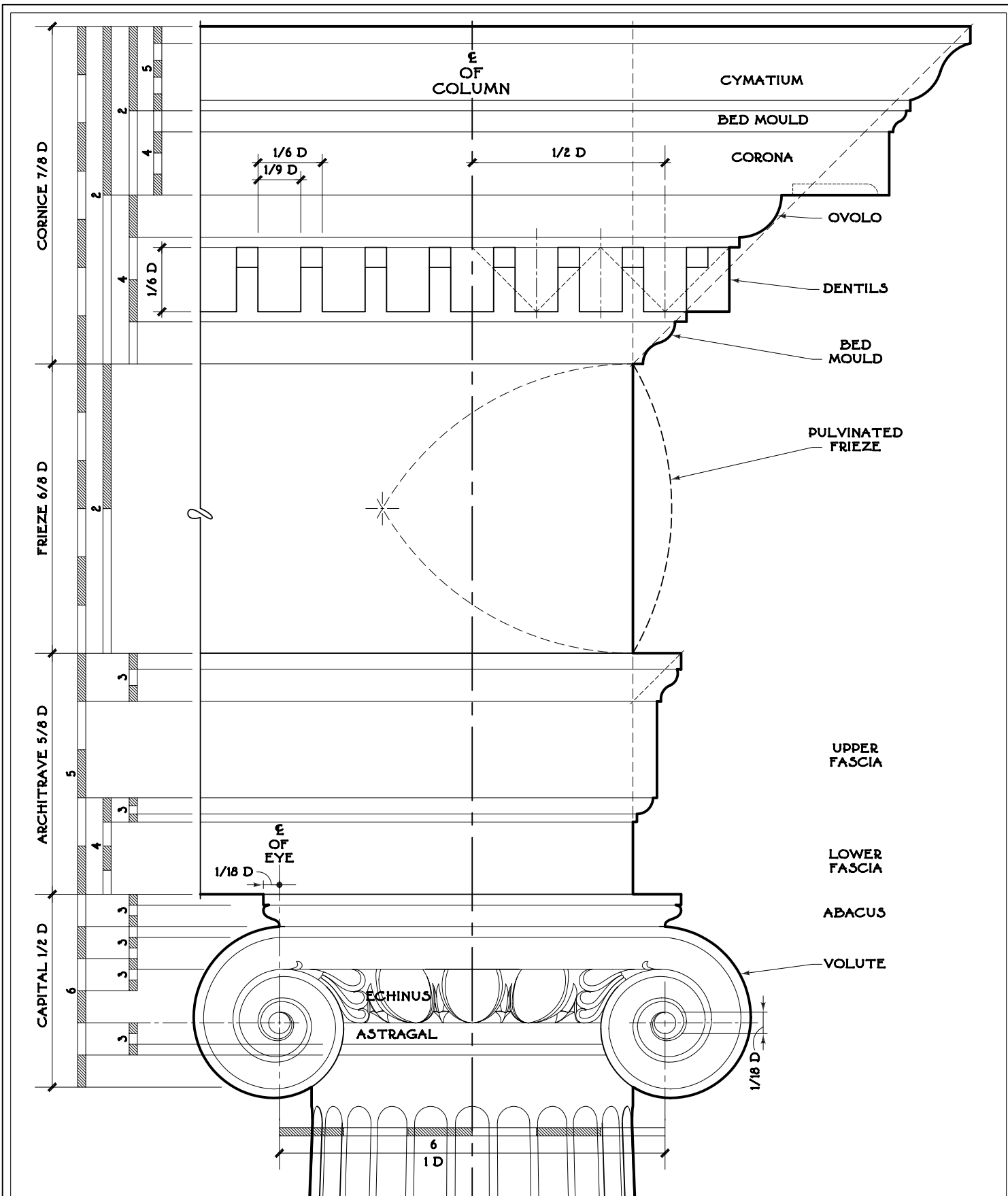
LAYOUT OF THE IONIC ORDER

ε
OF
COLUMN



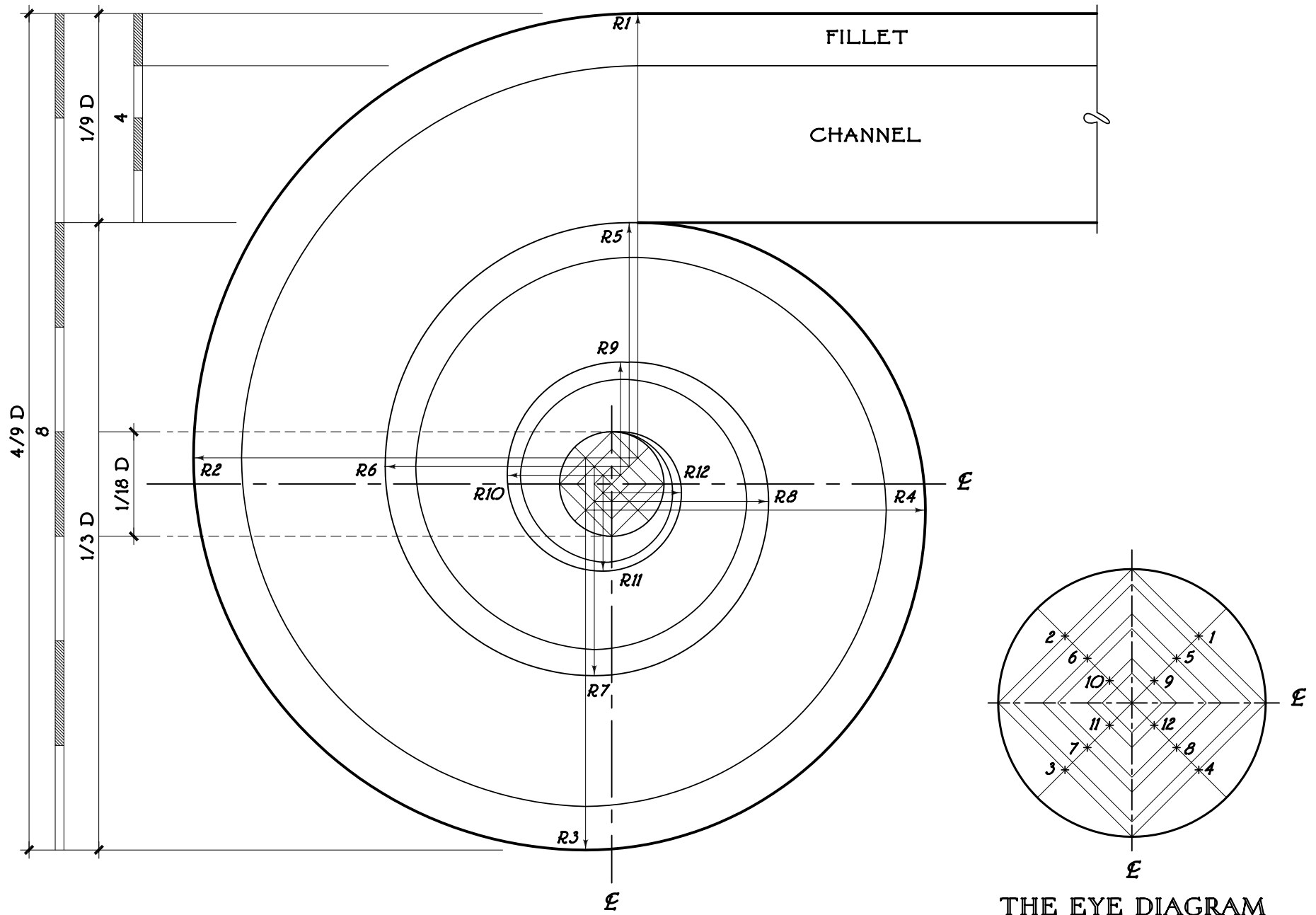
THE IONIC ORDER

CLASSICAL PRIMER



THE IONIC ENTABLATURE

CLASSICAL PRIMER



CONSTRUCTION OF THE IONIC VOLUTE